



Z888-18

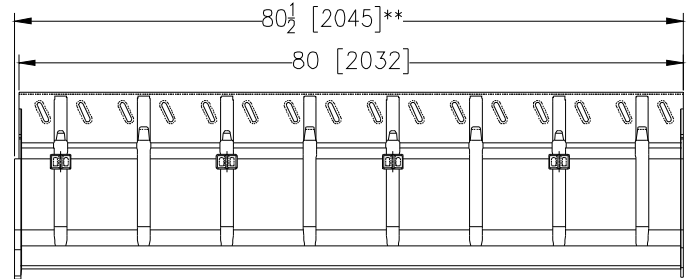
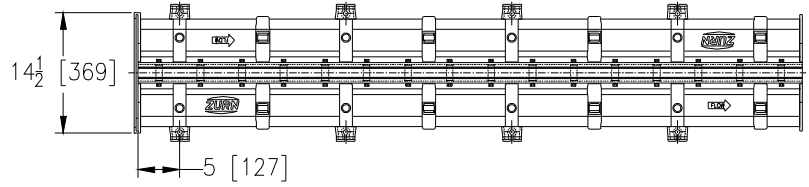
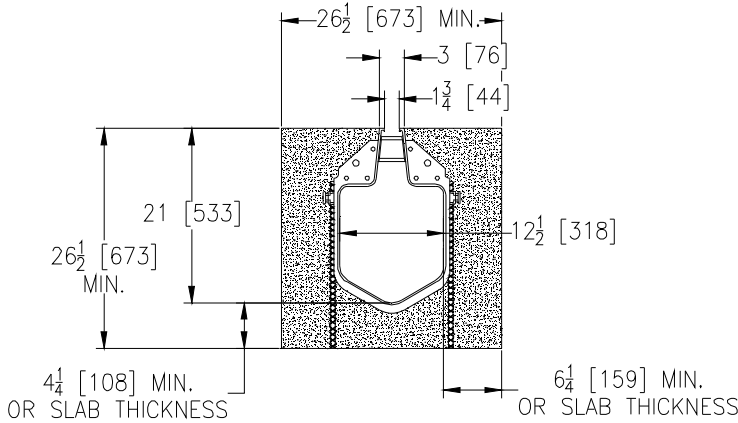
SPECIFICATION SHEET

HI-CAP SLOTTED DRAINAGE SYSTEM FOR 18 [457] CORRUGATED PIPE OR EQUIVALENT

TAG _____

Dimensional Data (inches and [mm]) are Subject to Manufacturing Tolerances and Change Without Notice

Specifying engineer is responsible for concrete encasement and reinforcing based upon application and local codes.



** $80\frac{1}{2}$ [2045] LENGTH INCLUDES MALE/FEMALE JOINT OVERLAP

ENGINEERING SPECIFICATION: Zurn Z888-18 Slotted Drain channel is 80 [2032] long, 21 [533] deep invert, 12.5 [318] wide with a 1.75 [44] throat width, made from LLDPE linear Low Density Polyethylene. Channels have a mechanical tongue and groove and bolted connection, mechanically lock into the concrete surround every 5 [127] along its length, channels weigh 7.5 lbs. per foot [11.2 kg per meter]. Channel has a smooth 2.5 [64] radiused bottom with a smooth .011 Manning's coefficient, and neutral non-sloping body. Top reveal is non removable and is the finish at the surface, Zip Strip is standard to keep debris out during the construction process. System is anchored into the concrete with Rebar clips or physical anchors every 5 [127] to 10 [254] along the channel body. Integral Rebar Clips are standard. Minimum 2000 psi concrete encasement shall include longitudinal #4 0.5 [13] rebar along chairs on either side of the trench neck. System is capable of Supporting H-20/H-25 Top Load Classification.

PREFIX OPTIONS

___ Z 80 [2032] linear low density polyethylene modular drain channel with integral top frame.*

SUFFIX OPTIONS

- ___ -E1 End Cap
- ___ -E8 8 [203] No Hub End Outlet
- ___ -E12 12 [305] No Hub End Outlet
- ___ -E18 18 [457] No Hub End Outlet
- ___ -E24 24 [610] No Hub End Outlet (Custom Built)
- ___ -T12/18 Transition from -12 [305] to -18 [457]
- ___ -T18/12 Transition from -18 [457] to -12 [305]
- ___ -T18/36 Transition from -18 [457] to -36 [914]

Supplied By:



877-903-7246

www.trenchdrainsupply.com

REV. F	DATE: 08/23/10	C.N. NO. 111566
DWG. NO. 64088	PRODUCT NO. Z888-18	

*Regularly Furnished Unless Otherwise Specified

ZURN INDUSTRIES, LLC. ♦ SPECIFICATION DRAINAGE OPERATION ♦ 1801 Pittsburgh Ave. ♦ Erie, PA 16514

Phone: 814/455-0921 ♦ Fax: 814/454-7929 ♦ World Wide Web: www.zurn.com

In Canada: ZURN INDUSTRIES LIMITED ♦ 3544 Nashua Drive ♦ Mississauga, Ontario L4V1L2 ♦ Phone: 905/405-8272 Fax: 905/405-1292